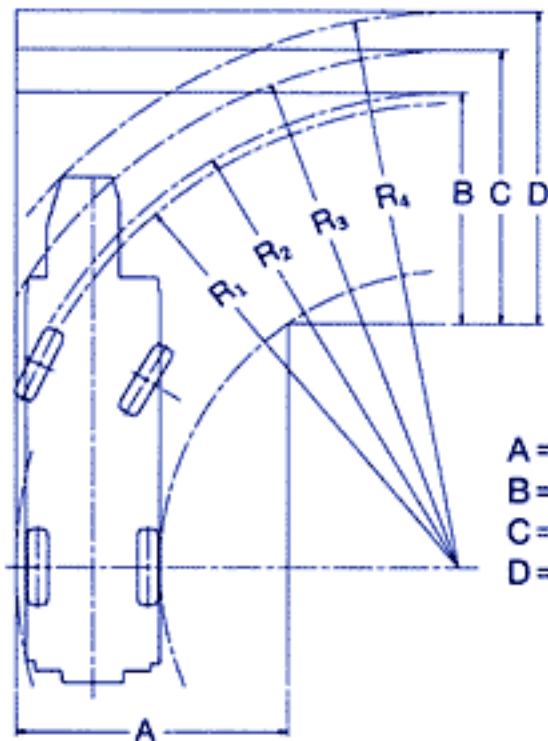


■ Minimum Road Width for Right-Angle Turn

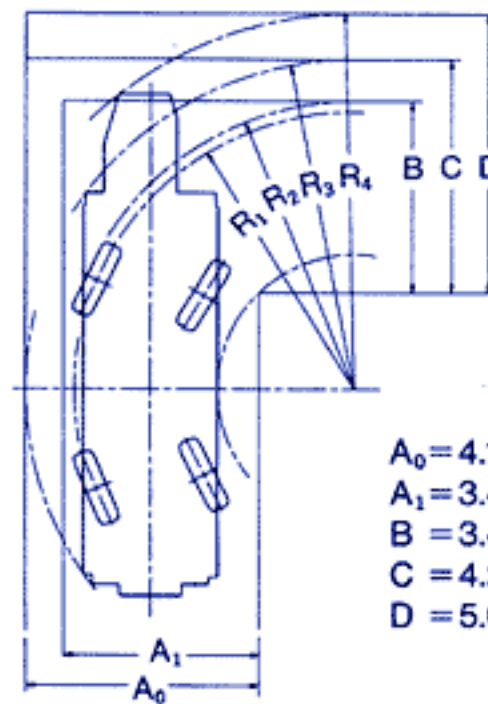
● Right turn in two-wheel steering mode



- $R_1=8.30\text{m}$   
(Minimum turning radius)
- $R_2=8.49\text{m}$   
(Turning radius of extremely outer tire)
- $R_3=9.25\text{m}$   
(Chassis turning radius)
- $R_4=9.93\text{m}$   
(Boom end turning radius)

- A = 4.85m (Width of entrance)
- B = 4.13m (Width of wheel exit)
- C = 4.89m (Width of chassis exit)
- D = 5.56m (Width of exit at end of boom)

● Right turn in 4-wheel steering mode



- $R_1=5.00\text{m}$   
(Minimum turning radius)
- $R_2=5.19\text{m}$   
(Turning radius of extremely outer tire)
- $R_3=5.95\text{m}$   
(Chassis turning radius)
- $R_4=6.77\text{m}$   
(Boom end turning radius)

- $A_0=4.16\text{m}$  (Width of entrance)
- $A_1=3.48\text{m}$  (Width of wheel entrance)
- B = 3.44m (Width of wheel exit)
- C = 4.20m (Width of chassis exit)
- D = 5.02m (Width of exit at end of boom)

Note: The above values are based on calculations.

